

DELGARD™

PREMIER ALUMINUM FENCING

COMMERCIAL FENCE INSTALLATION INSTRUCTIONS DT3600-01B

Important: Read and understand all instructions pertaining to gate and fence installation prior to the actual installation and also use them during the installation process.

Important:

Call 811 to have your underground utility lines marked free of cost, before laying out your fence project. All fence and gates must be installed to conform to I.B.C. specifications along with local building code regulations. Local municipalities may require a setback from property line to fence line. Otherwise, it is recommended to be 2" inside the property line. It is important to find out all the requirements before installing your fence.

Note: Additional hardware is available to attach posts and rails to walls.

1. Planning Fence Location

- 1.1 See Figure 1. First stake out and run string lines in the perimeter to be fenced in.
- 1.2 Start by installing the gate posts. See the gate installation manual for proper gate post spacing.
- 1.3 See Figure 2. Proceed to dig the post holes. It is recommended that 2 to 3 holes are dug at a time and then a couple of post and fence assemblies are installed to insure that proper post distances are maintained. Pouring concrete into the post holes, as instructed in section 5, can help keep the post upright during installation. Don't get too far ahead in the installation process without occasionally checking that all concreted post have remained plumb before concrete has fully set. Putting blocks of wood under the fence sections prevents the post from sinking into the ground as the concrete sets. The horizontal center to center post distance is as follows...

<u>Fence</u>	<u>Post Distance</u>
Commercial 6' Bracket Mount	66 3/4"
Commercial 8' Bracket Mount	92 1/2"
Commercial 6' Snap In	69 3/4"
Commercial 8' Snap In	95 1/2"

Note: Center to center distance will be smaller when the fence is on a slope.

IMPORTANT: The concrete footing must be below the regional frost line.

IMPORTANT: Local municipalities may require different depths for the post holes other than those shown. You must verify that these depths meet all local building codes.

2. Installation for Screw Attachment and Snap In Fence Systems (Used along with section 3.)

- 2.1 Use a rubber mallet to drive the post caps onto the posts. Be careful not to damage the post or caps.
- 2.2 See Figures 3A (Screw Attachment) or 3B (Snap In). Starting from where the gates are installed, slide a section of fence into the gate post fence rail holes and into the holes in the next post. The fence sections must be inserted entirely into the post to meet code.
- 2.3 For Screw Attachment systems only: See Figure 3A. Fasten the posts to the fence with #8 x 1" (Aero Fence uses #8 x 1 1/2") self-drilling screws provided. Be careful not to over-tighten screws because the screw heads may break off or the holes in the rail may strip out.

3. Modifications for Shorter and Corner Fence Sections. (Screw Attachment and Snap In only)

- 3.1 See Figure 4. Fence sections may be cut to length as necessary. The shortened fence sections will need to be notched so that the rail can be inserted into the post.
- 3.2 See Figures 4 and 5. Fence rails will need to be mitered and possibly notched if fence was shortened for corner posts. Fasten the rails to the post as instructed in 2.3.
- 3.3 For Snap In fence sections only: Make a small cut with a hack saw and use pliers to gently bend the barb outward. See Figure 3B. For mitered fence sections, this is done on the opposite side of the mitered cut.
- 3.4 Proceed to section 5.

4. Bracket Mount Fence Systems (See Figure 6)

- 4.1 Slide the Post to Fence Rail Brackets over the post. Note that the Brackets interlock each other when using them in a line post or a corner post situation. Each fence rail will get 1 Bracket.
- 4.2 Use the "H" dimension to set the top of the post to the middle of the bracket slot for the top rail.

5. Concrete Footings

- 5.1 Fill the post hole with a stiff concrete mix. Set the post into the concrete filled hole making sure that the concrete is below the bottom of the post.
- 5.2 Plumb and brace the posts while the concrete is setting. The fence section can rack allowing the rails to follow the contour of the ground.
- 5.3 For Screw Attachment systems only: See Figure 3A. After concrete has set, fasten the posts to the fence with #8 x 1" (Aero Fence uses #8 x 1 1/2") self-drilling screws provided. Be careful not to over-tighten screws because the screw heads may break off or the holes in the rail may strip out.

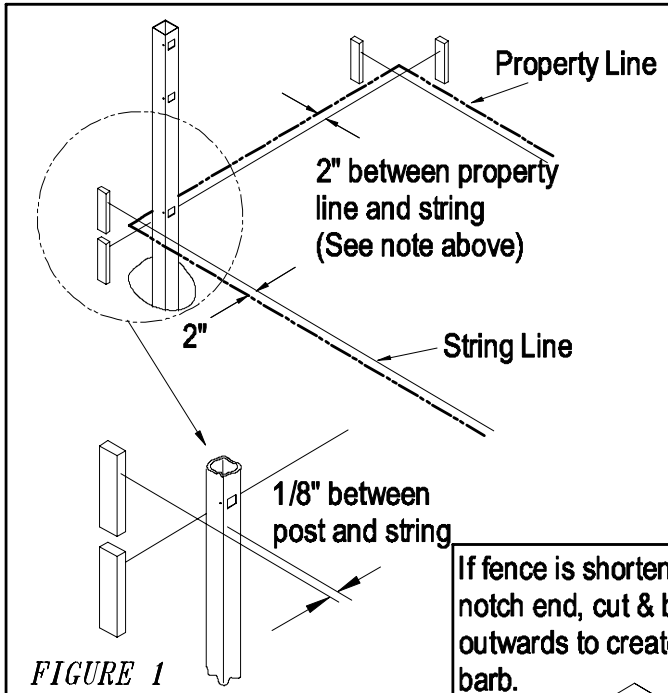
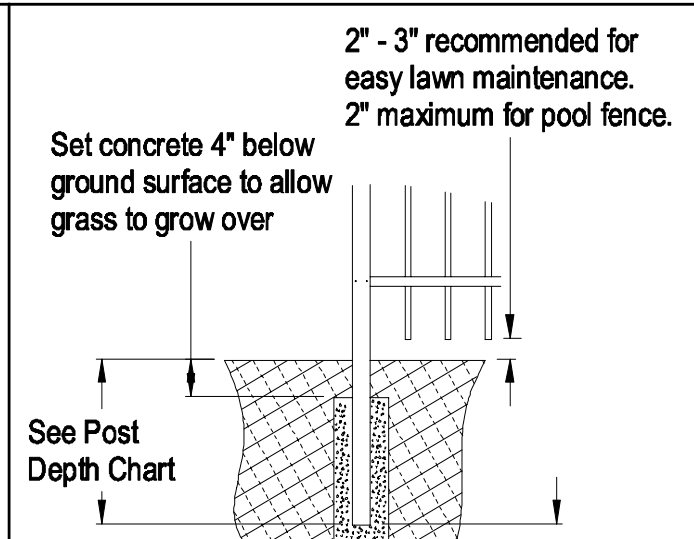
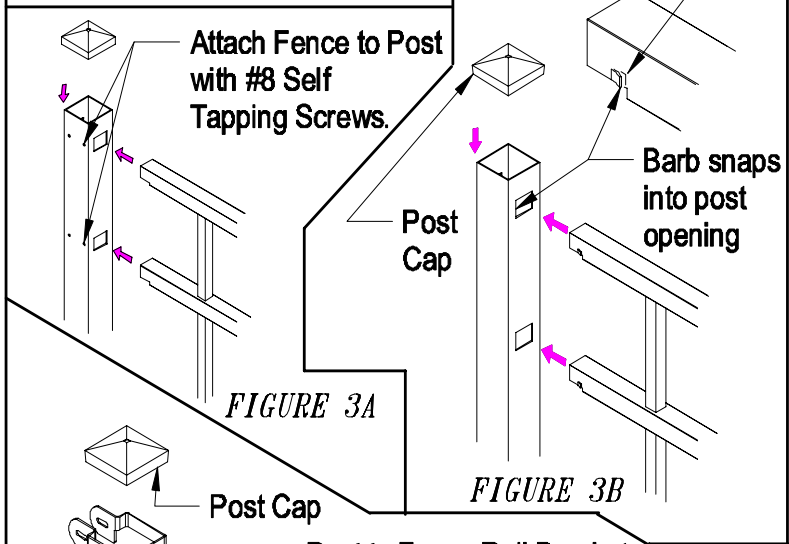


FIGURE 1

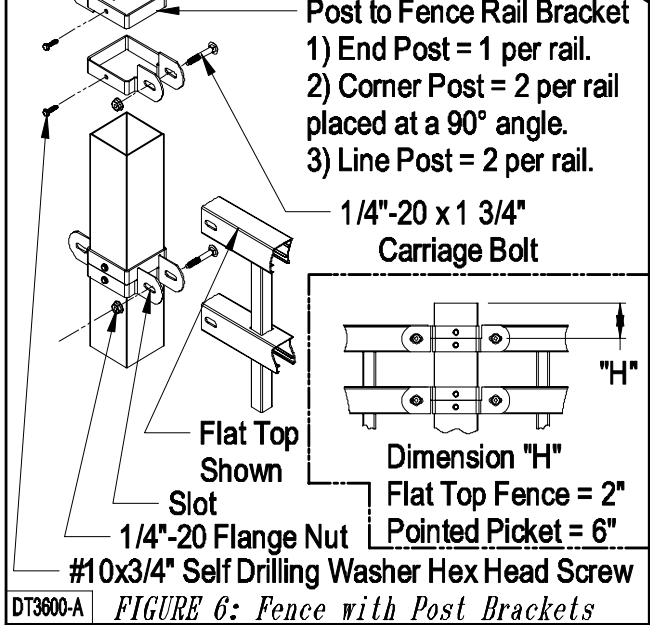


If fence is shortened, notch end, cut & bend outwards to create barb.



Fence Height	AERO Pro. Res. Post Depth	Com. Post Depth	4"x4" Post Depth
Up to 4' fence	19"	18"	20"
4 1/2' fence	25"	N/A	N/A
5' fence	25"	24"	56"
6' fence	31"	30"	44"
7' fence	N/A	36"	56"
8' fence	N/A	42"	44"

FIGURE 2



DT3600-A FIGURE 6: Fence with Post Brackets

